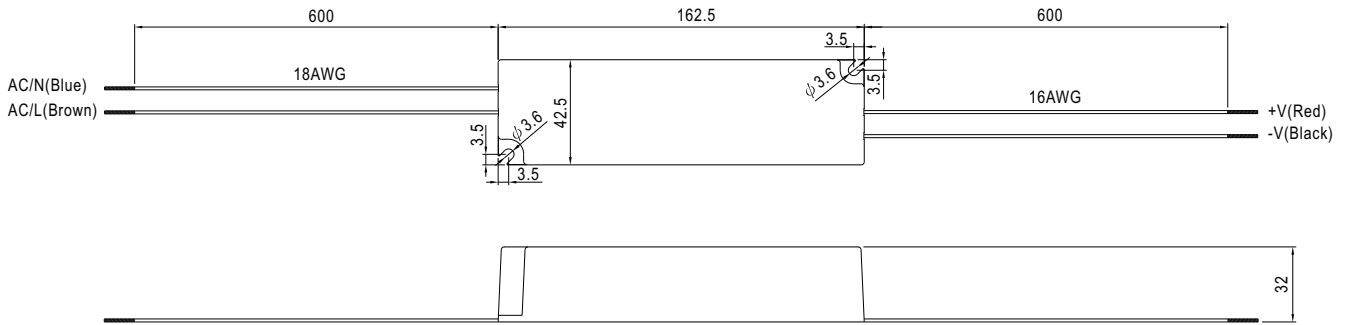
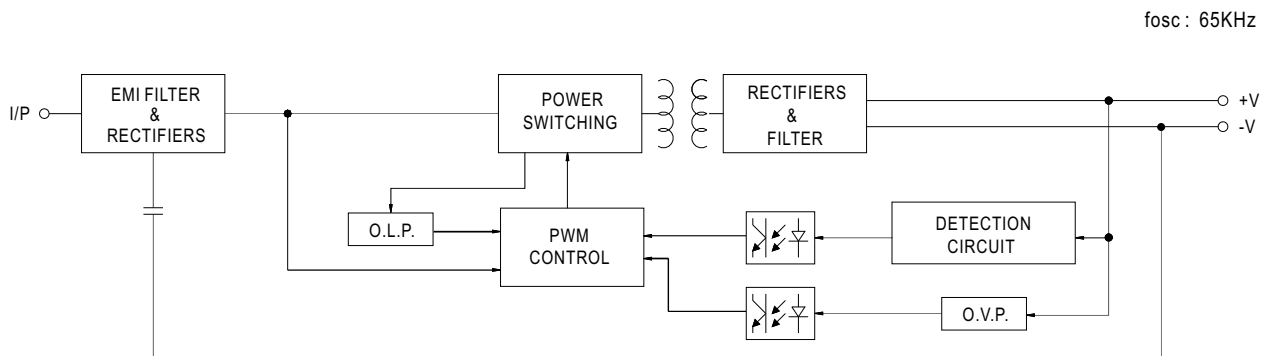


Mechanical Specification

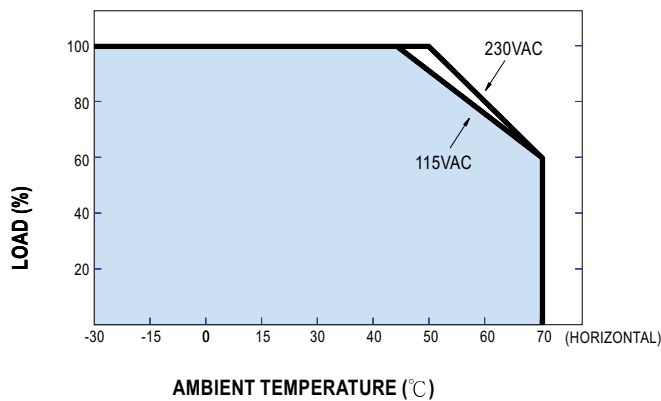
Case No. 976A Unit:mm



Block Diagram



Derating Curve



Static Characteristics

