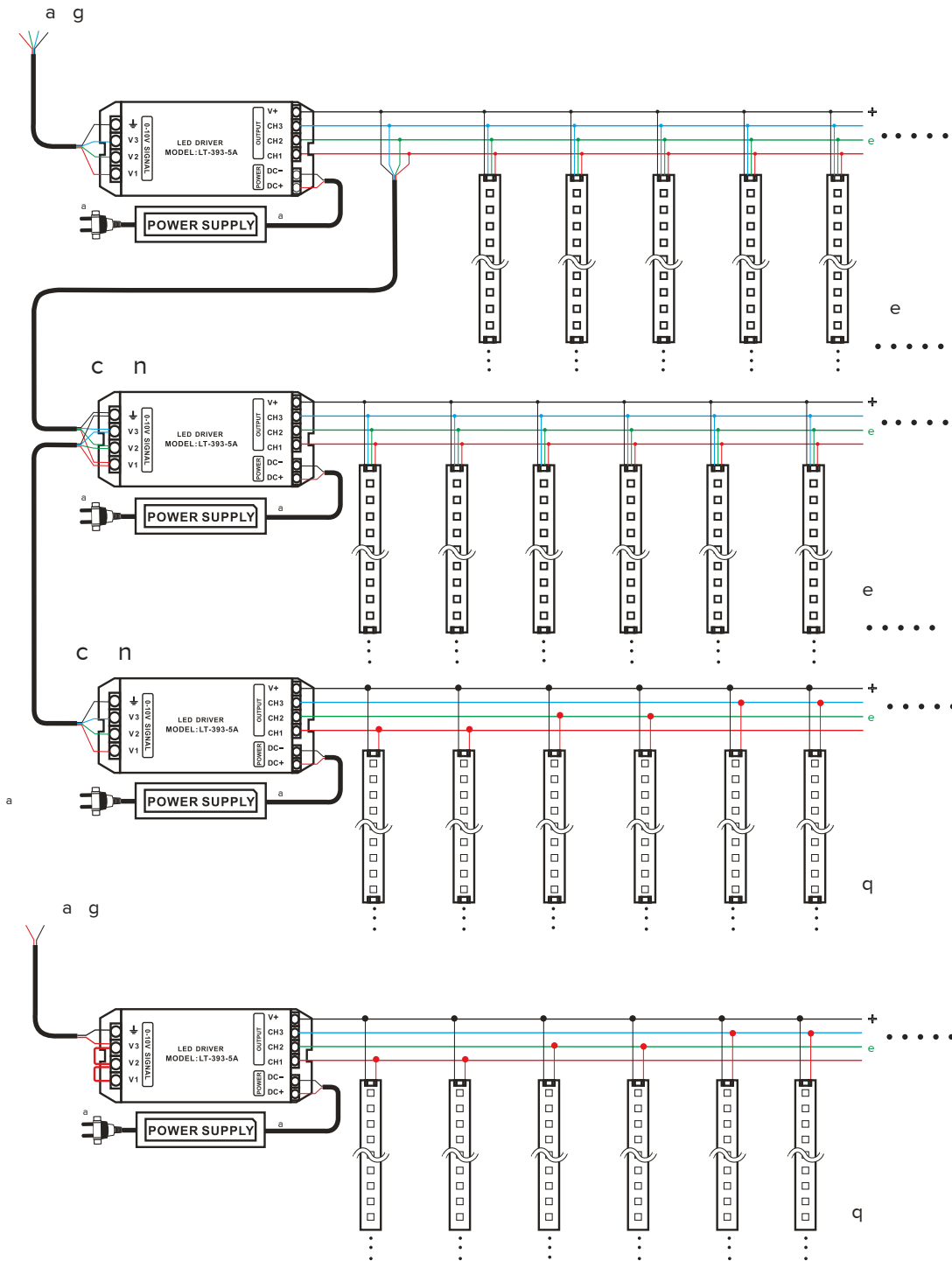


Esquema / Wiring scheme

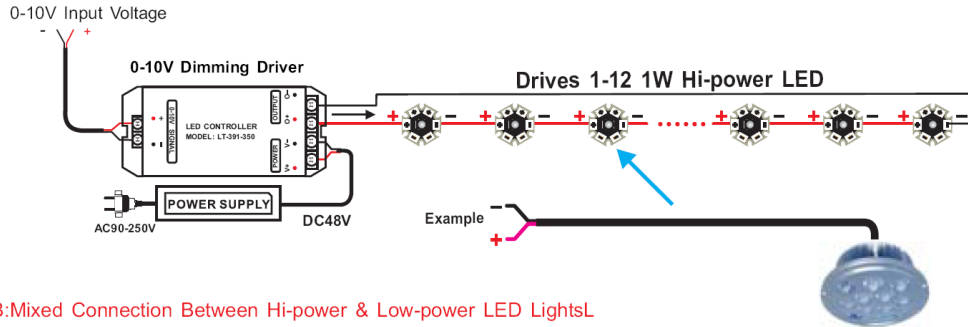
BS-010-5



Esquema / Wiring scheme

BS-010-350/750/1050

A: Connecting Hi-power LED Lights:



B: Mixed Connection Between Hi-power & Low-power LED LightsL

